

DVP-S336/S345/S360/S365/ S560D/S570D/S745D RMT-D115E/D116A/D117A/D120A/D120E

SONY[®]

SERVICE MANUAL

US Model
Canadian Model
DVP-S360/S560D/S570D

E Model
DVP-S360/S560D

Chinese Model
Hong Kong Model
Singapore Model
DVP-S345/S745D

Korea Model
DVP-S336/S745D

PX Model
DVP-S365

SUPPLEMENT-1

File this supplement with the service manual.
(DDA01649)

Subject:

1. Service Note is Corrected.
2. POWER BLOCK is Changed.
3. Electrical Adjustment is Corrected.
4. Part List is Changed.

SERVICE NOTE

(See Service Manual Page 5)

3. HOW TO SERVICE MB-86 BOARD

- 1) Remove the case from the set. (Refer to 2-1)
- 2) Remove the mechanism deck. (Refer to 2-6)
- 3) Remove the MB-86 board. (Refer to 2-9)
- 4) Set the CK-MD board as shown in Fig. 2.

- 6) Set the CK-MB board as shown in Fig. 4.

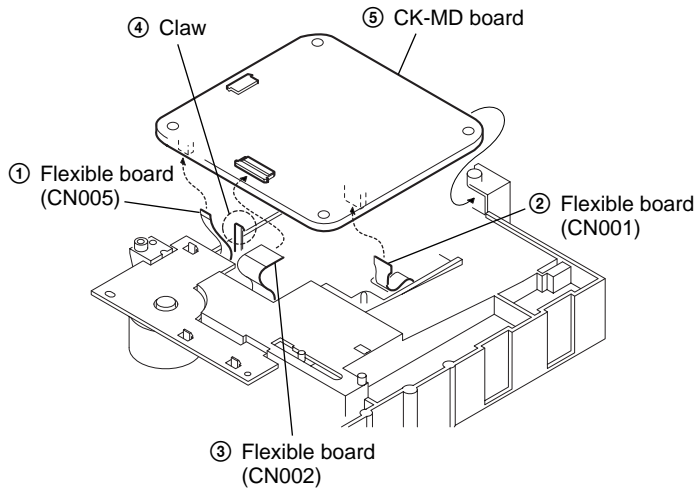


Fig. 2

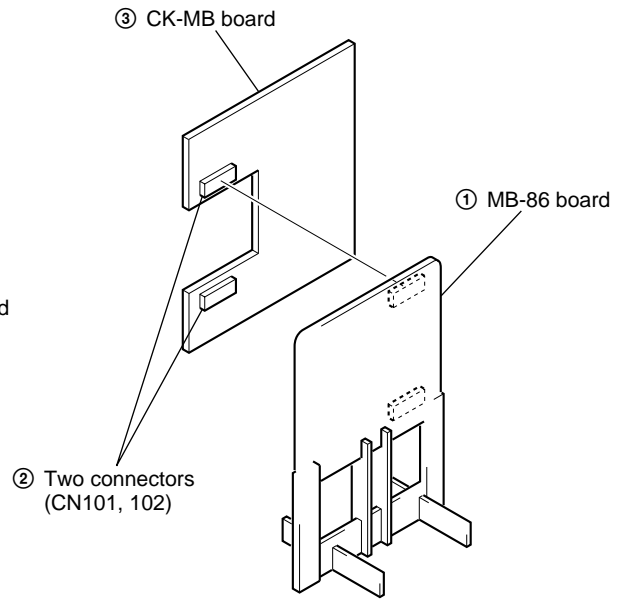


Fig. 4

- 5) Set the MB-86 board as shown in Fig. 3.

- 7) Set the CK-AI board as shown in Fig. 5.

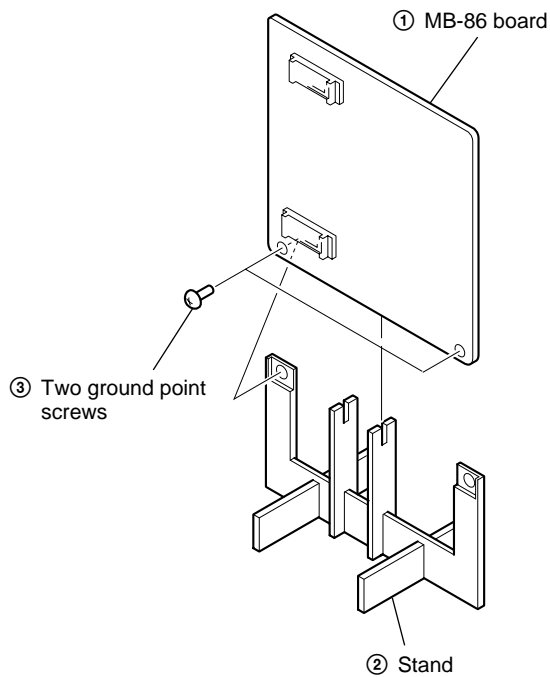


Fig. 3

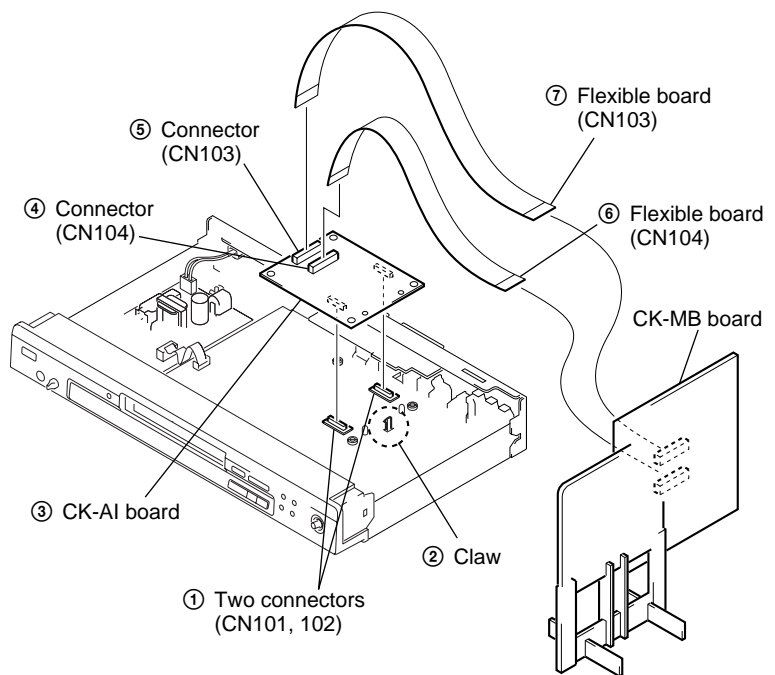


Fig. 5

8) Set the three flexible boards (J-6090-100-A) as shown in Fig. 6.

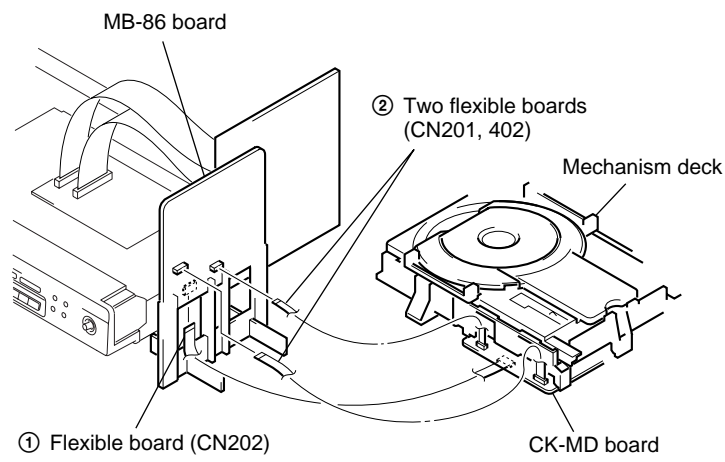


Fig. 6

9) Set the mechanism deck as shown in Fig. 7.

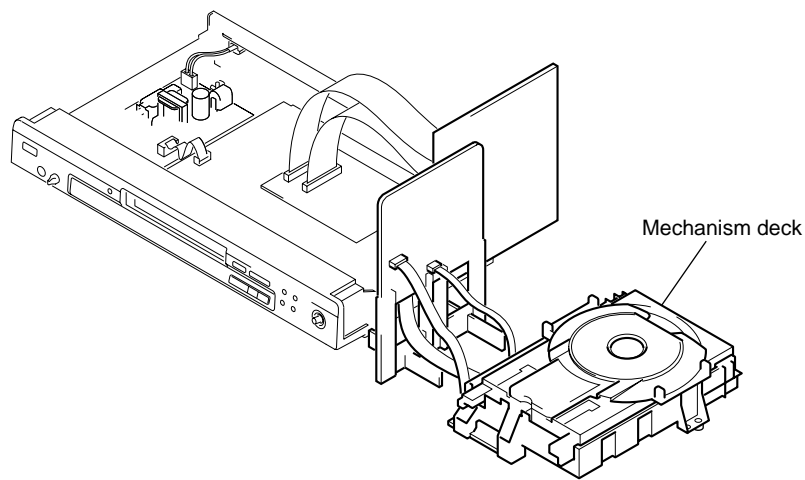


Fig. 7

SECTION 4 PRINTED WIRING BOARDS AND SCHEMATIC DIAGRAMS

: Points changed portion.

HS16S9E (SWITCHING REGULATOR) SCHEMATIC DIAGRAM

PAGE	INCORRECT	CORRECT
4-53	<p>D105: Location (C-3).</p>	
	<p>D315, 613: Location (B-6).</p>	

HS16S9F (SWITCHING REGULATOR) SCHEMATIC DIAGRAM

PAGE	INCORRECT	CORRECT
4-57	<p>D105: Location (C-3).</p>	

HS16S9U (SWITCHING REGULATOR) SCHEMATIC DIAGRAM

PAGE	INCORRECT	CORRECT
4-61	<p>D105: Location (C-3).</p>	
	<p>D315, 613: Location (B-6).</p>	

SECTION 7 ELECTRICAL ADJUSTMENT

 : Points added portion.

PAGE	INCORRECT	CORRECT
7-1	Instruments required: 1) Color monitor TV 2) Oscilloscope 1 or 2 phenomena, band width over 100 MHz, with delay mode 3) Frequency counter (over 8 digits) 4) Digital voltmeter 5) Standard commander (RMT-D115E/D116A/D117A/D120A/D120E) 6) DVD reference disc HLX-501 (J-6090-071-A) (dual layer) HLX-503 (J-6090-069-A) (single layer) HLX-504 (J-6090-088-A) (single layer) HLX-505 (J-6090-089-A) (dual layer) 7) SACD reference disc HLXA-509 (J-6090-090-A)	Instruments required: 1) Color monitor TV 2) Oscilloscope 1 or 2 phenomena, band width over 100 MHz, with delay mode 3) Frequency counter (over 8 digits) 4) Digital voltmeter 5) Standard commander (RMT-D115E/D116A/D117A/D120A/D120E) 6) DVD reference disc HLX-501 (J-6090-071-A) (dual layer) HLX-503 (J-6090-069-A) (single layer) HLX-504 (J-6090-088-A) (single layer) HLX-505 (J-6090-089-A) (dual layer) 7) SACD reference disc HLXA-509 (J-6090-090-A) 8) Extension cable (J-6090-100-A) MB-86 BOARD (CN501) ↔ AI-17 BOARD (CN101) MB-86 BOARD (CN701) ↔ AI-17 BOARD (CN201)

SECTION 8 REPAIR PARTS LIST

• DIFFERENT PARTS LIST

8-1. EXPLODED VIEWS

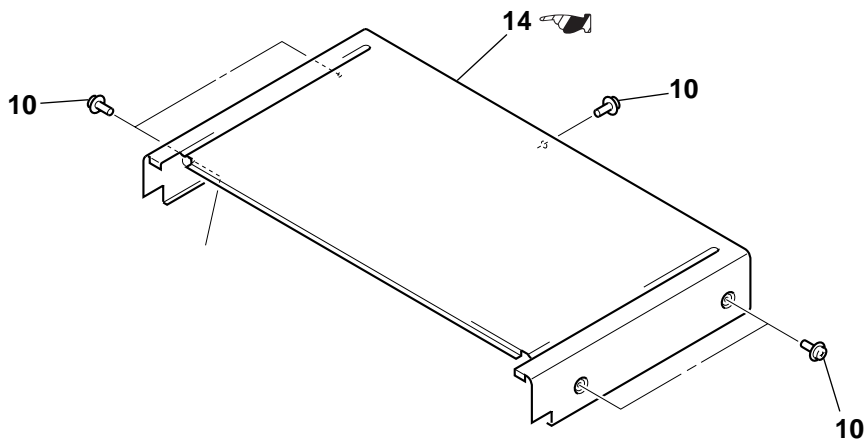
NOTE:

- -XX and -X mean standardized parts, so they may have some difference from the original one.
- Items marked "*" are not stocked since they are seldom required for routine service. Some delay should be anticipated when ordering these items.
- Color Indication of Appearance Parts
 Example:
 KNOB, BALANCE (WHITE) . . . (RED)
 ↑ ↑
 Parts Color Cabinet's Color
- The mechanical parts with no reference number in the exploded views are not supplied.
- Abbreviation
 CND: Canadian

8-1-1. CASE ASSEMBLY (S336/S345/S360/S565/S560D)


(See Service Manual Page 8-1.)

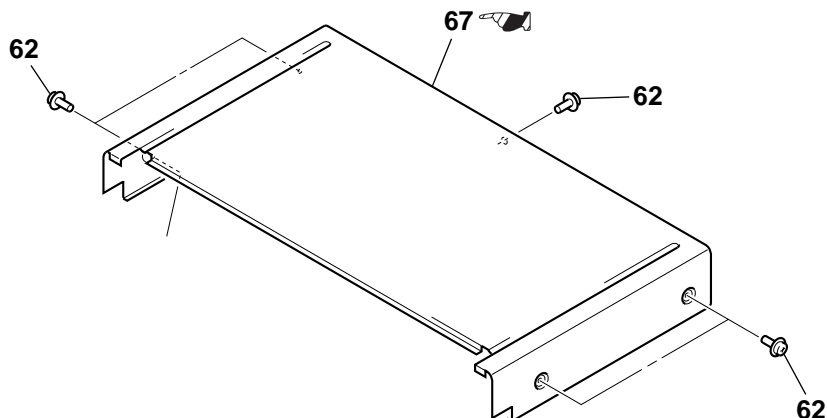
 : Points changed parts.



FORMER				NEW			
Ref. No.	Part No.	Description	Remark	Ref. No.	Part No.	Description	Remark
		not supplied		14	3-062-941-01	CASE (S360: US, CND/S365/S560D: US, CND)	
		not supplied		14	3-062-941-11	CASE (S345)	
		not supplied		14	3-062-941-21	CASE (S336/S360: E/S560D: E)	

8-1-2. CASE ASSEMBLY (S570D/S745D)
(See Service Manual Page 8-3.)

 : Points changed parts.



FORMER				NEW			
Ref. No.	Part No.	Description	Remark	Ref. No.	Part No.	Description	Remark
		not supplied		67	3-062-941-31	CASE (S570D)	
		not supplied		67	3-062-941-41	CASE (S745D)	

8-2. ELECTRICAL PARTS LIST

PAGE	FORMER				NEW			
	Ref. No.	Part No.	Description	Remark	Ref. No.	Part No.	Description	Remark
8-19			MB-86 BOARD *****				MB-86 BOARD *****	
	IC104				IC106	8-759-714-35	IC MR27V1602E-26TPZ060 (S336/S345)	
	IC104				IC106	8-759-714-30	IC MR27V1602E-21TPZ060 (S360/S365)	
					IC106	8-759-712-15	IC MR27V3202E-30TPZ060 (S560D)	
					IC106	8-759-714-36	IC MR27V3202E-33TPZ060 (S570D/S745D)	
8-24			POWER BLOCK (SRV940JUC)				POWER BLOCK (SRV940JUC)	
	D105				D105	9-885-005-98	DIODE P6KE120	